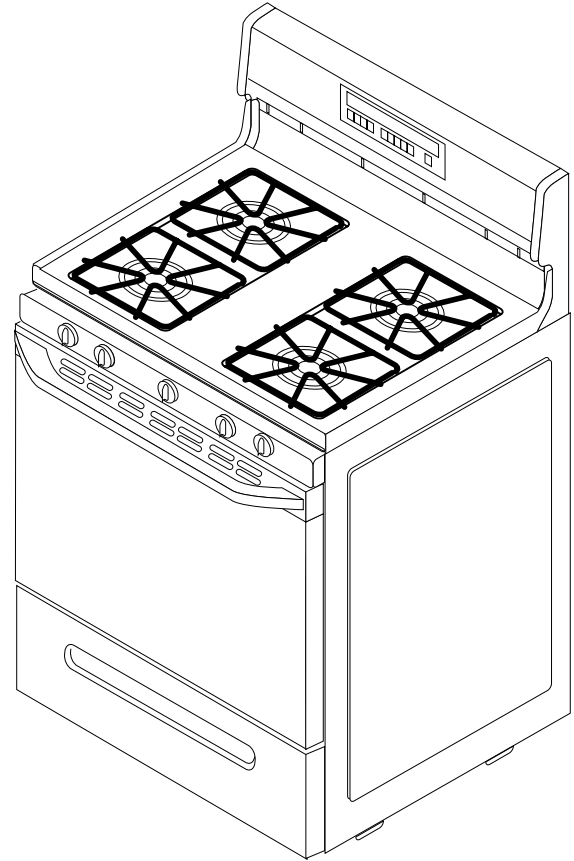
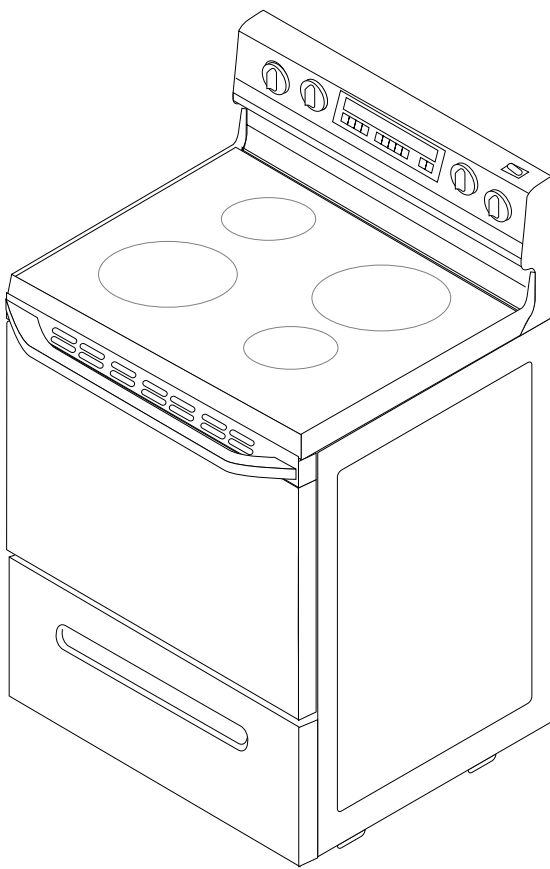




**CONSUMER SERVICES TECHNICAL  
EDUCATION GROUP PRESENTS**



**SUPER CAPACITY 465  
FREESTANDING  
GAS & ELECTRIC RANGES**

JOB AID  
Part No. 4322089