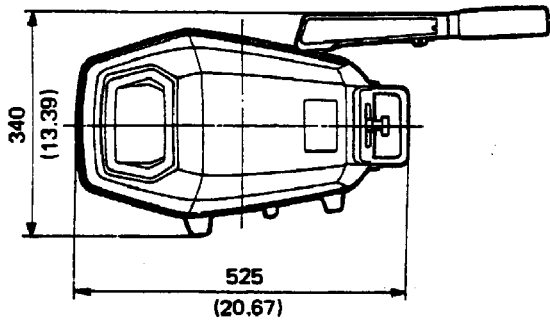
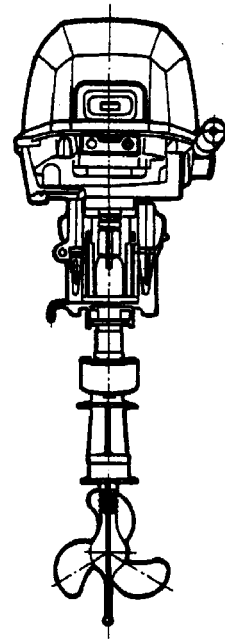
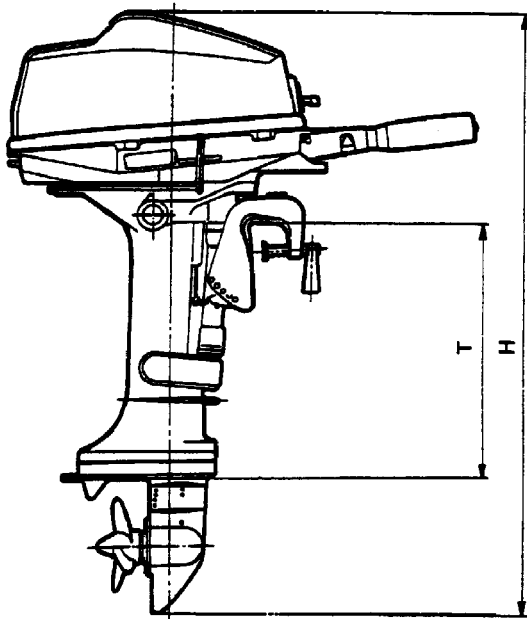


## 2. DIMENSIONAL DRAWINGS

Unit mm (in)



	H: HEIGHT	T: TRANSOM HEIGHT
BF50S, BF5AS	1,005 mm (39.6 in)	445 mm (17.5 in)
BF50L, BF5AL	1,135 mm (44.7 in)	572 mm (22.5 in)



### ● PROPELLER SHAFT

