

Figure 2-3. Cam Follower, Choke, Linkages, and Throttle Shaft Bearing

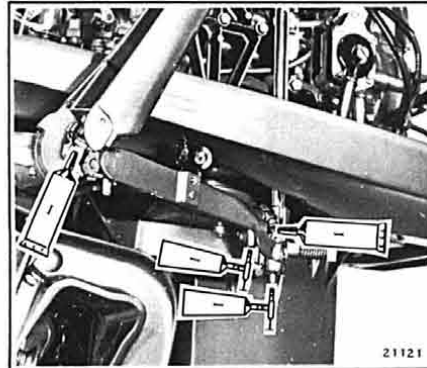


Figure 2-4. Throttle Shaft Bushings and Gears

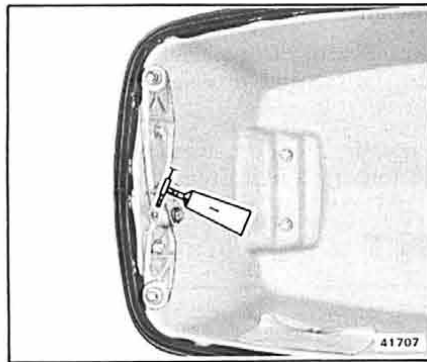


Figure 2-5. Motor Cover Latch Lever Shaft



Figure 2-6. Starter Pinion Gear Shaft Helix

LUBRICATION POINTS

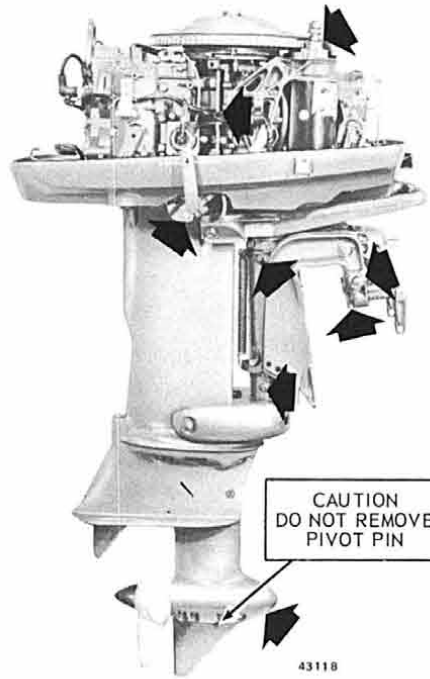


Figure 2-1. Starboard Side, 40 H.P. Electric

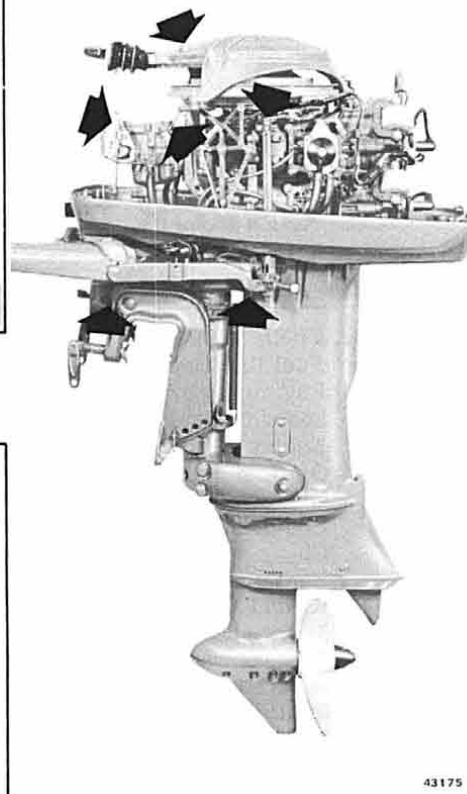


Figure 2-2. Port Side, 40 H.P. Manual Start

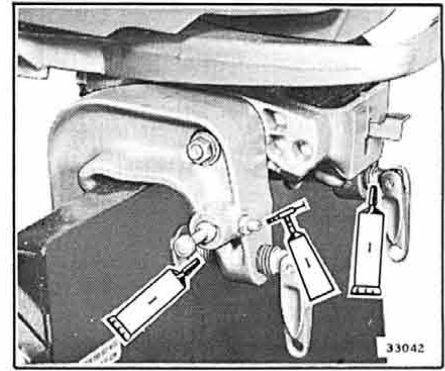


Figure 2-7. Tilt Lock Pin and Clamp Screws

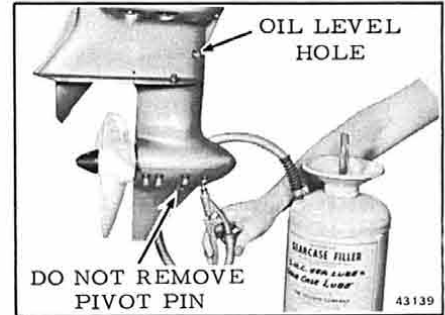


Figure 2-8. Gearcase

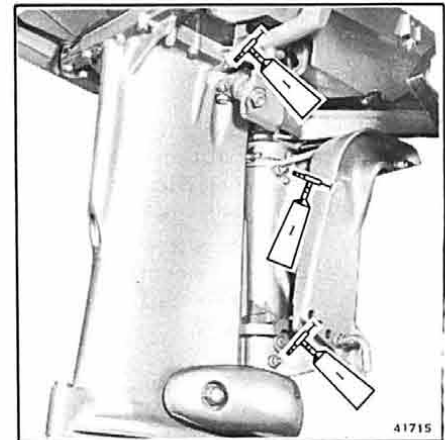


Figure 2-9. Swivel Bracket Fittings and Gearshift Lever Shaft

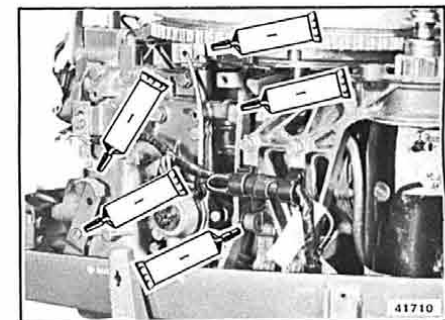


Figure 2-10. Gear Shift Lever Lockout, Safety Switch Cam and Neutral Start Lever and Cam