

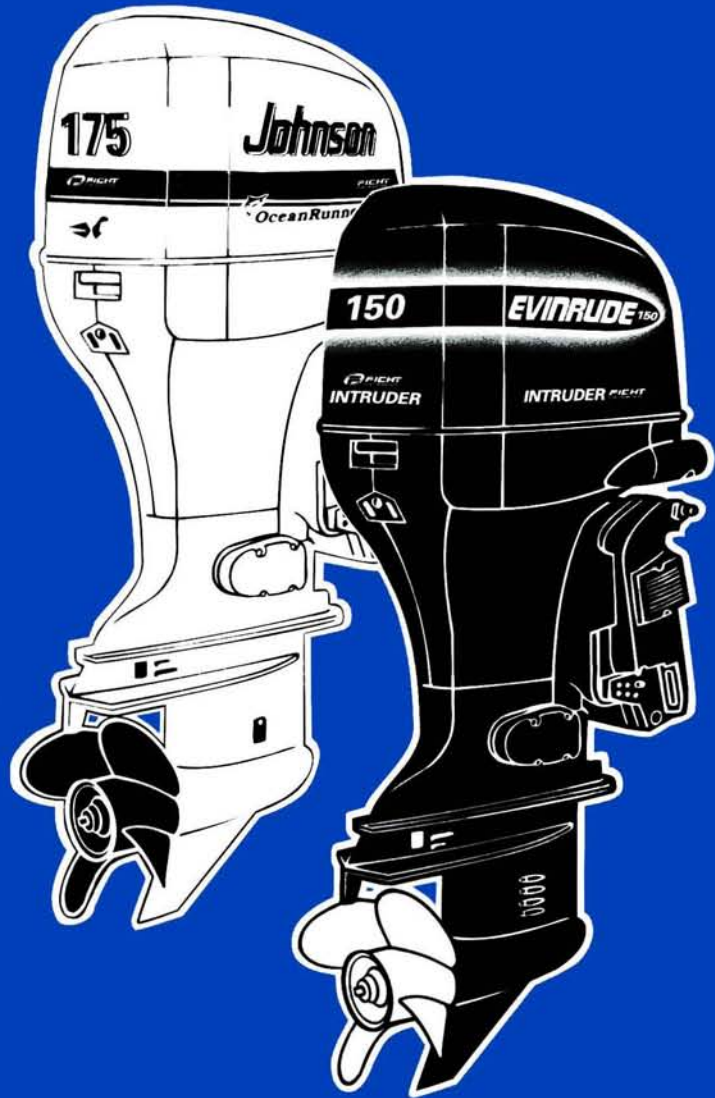


# Johnson<sup>®</sup>

## OUTBOARDS

# Service Manual

150, 175 FFI<sup>™</sup>



# EVINRUDE<sup>®</sup>

## OUTBOARDS